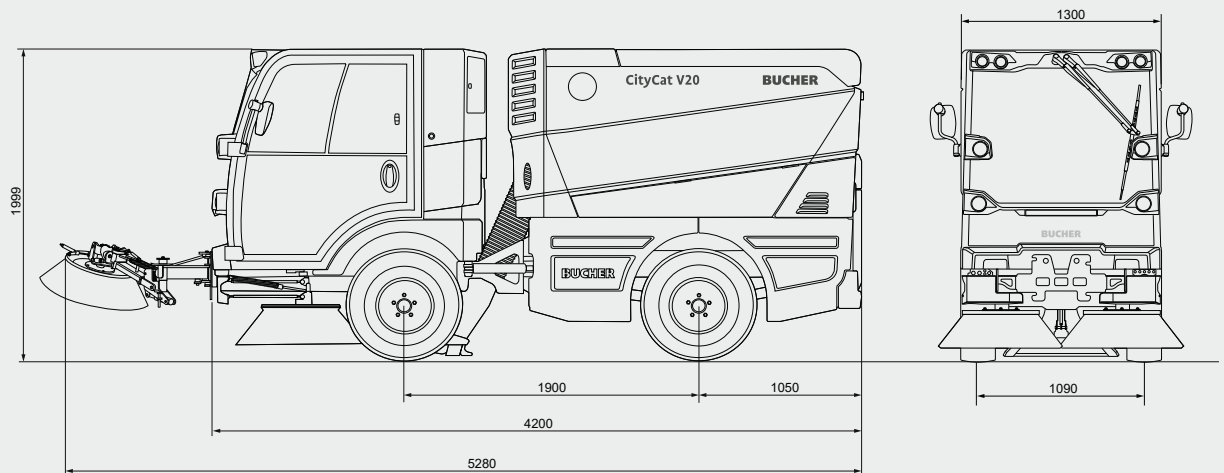


# Bucher CityCat V20



## Dimensions

Length	4200 mm
Width	1300 mm
Height	1999 mm
Wheelbase	1900 mm
Track width	1090 mm
Cleaning width	2100 mm
Cleaning width 3rd brush	2700 mm

## Weight

Empty weight	2700 kg
Payload	2100 kg
GVW	4800 kg

## Emissions

Noise level $L_{WA}$	97 dB(A)
PM certification	PM2.5/PM10 ****

## Tyres

215/75 R16 C M+S
------------------

## Drive system

Working speed	0-15 km/h
Travelling speed	0-50 km/h*
Climbing ability	up to 30 %
Stepless, hydrostatic drive system. Two speed levels with automatic, load-dependent electronic control.	

## Engine

Type	R754EU6D
Emission standard	Euro 6d
Engine Displacement	2970 cm <sup>3</sup>
Output	62 kW
Torque	270 Nm
Fuel tank	80 l
AdBlue tank	14 l
Electrical system	12 V
Battery	95 Ah

\* According to national legislation

## Bucher CityCat V20: the agile compact sweeper



### Unparalleled suction performance

Just like the floating suction mouth, the straight suction hose also belongs to the Bucher "DNA" and results in minimum risk of blockage and optimum air flow for trouble-free operation.



### Articulated steering for max. manoeuvrability

One benefit of articulated steering is the resulting manoeuvrability. The articulated steering means that the suction mouth is always positioned in the direction of travel and prevents irritating traces of dirt.



### Low-emission Euro 6d diesel engine

The smooth-running, economical Euro 6d diesel engine delivers demand-driven performance and therefore guarantees low consumption and emission values.

# Bucher CityCat V20

## Chassis

Two-part ladder-type frame chassis with "C" profile construction. Independent suspension with shock absorber and screw spring on the front axle and leaf suspension with shock absorber on the rear axle.

## Axles and steering

Driven front axle by means of two-stage wheel motors with hydraulic locking action. Articulated steering with load-sensing steering hydraulics.

## Working hydraulics

Hydraulic unit with silent gear pumps for fan, steering, auxiliary functions, side and front brush drive.

## Brakes

Hydraulic servo dual-circuit brake system with disc brakes on front and rear axle. Parking brake (spring energy brake) acting on the front axle.

## Cab

Comfortably suspended sound-insulated aluminium cab. Windscreen made of heat-reflecting, curved, low-reflection safety glass. Two sliding windows in each door. Variable heater, sun screens, screen wiper with washer. Individually adjustable, sprung driver's seat with headrest and 3-point safety belt. Angle- and height-adjustable steering column.

## Control unit

Smart-Con operation concept includes a multi-functional armrest with smart start function which makes it possible to operate all working functions with one hand. All relevant information at a glance at any time thanks to the digital 4.3 inch display. Optional CSense display (10.1 inch touch display) with intuitive design for extended functions, central overview of all settings and visual diagnostic system. The displayed vehicle set-up can be individually chosen by the driver.

## Water system

Water volume	425 l
Fresh water volume	275 l
Service water volume	150 l

The water tank for service water can optionally be used as expansion for fresh water. Electrically controlled water pump for the water nozzles.

## Hopper

Volume	2.0 m <sup>3</sup>
Dumping height	1555 mm
Dumping width	1043 mm

## Sweeping system

Wide suction mouth floating between the front wheels, made of cast aluminium hanging on a patented compensation mechanism. Adjustable high-performance suction fan.

## Brushes

2 side brushes left and right Ø 800 mm

Speed adjustment 0–120 U/min

Impact-proof brush suspension.

3rd front brush for cleaning width of 2700 mm and for cleaning corners and ramps, can be used on the left and right (optional).

## Options

- Air conditioning
- Rear view and suction mouth camera
- Radio with Bluetooth & DAB+
- Hydraulically tiltable side brushes
- Side brush single lift
- Wander hose
- Weed brush
- Water flushing bar
- High pressure water system
- EasyClean system
- LED work light
- Data capture

A variety of other options are available – contact us for more information.

## Bucher Municipal



For local contact and support, please scan the QR code or visit

[buchermunicipal.com](http://buchermunicipal.com)

**Driven by better**



Bucher Municipal  
E-Shop