

BUCHER
municipal

Bucher CityCat 5006

Performance package in the compact class





Bucher CityCat 5006

The Bucher CityCat 5006 compact street sweeper sets a new standard for compact sweepers with its unique design and pioneering technology. A Bucher CityCat 5006 mid-sized road sweeper provides the best of both worlds; manoeuvrable dimensions combined with heavy-duty suction performance – an ideal combination for sweeping urban areas where large hopper capacity and compact agility are equally important.

High performance **and productivity**

The Bucher CityCat 5006 delivers on performance. It has the appetite of a large truck mounted sweeper, the functionality of a multi-purpose vehicle and the manoeuvrability of a compact sweeper; all delivered in a single package, designed and built to the exacting standards required by demanding municipal environments.

Power is supplied by a potent 118 kilowatt diesel engine with AdBlue additive and an exhaust after-treatment system which allows the Bucher CityCat 5006 to meet the strict Euro 6 emissions standard. Heavy-duty suction power and a high payload are combined with a four-wheel steering system as standard, to provide capacity and agility without

compromise. Comfortable in heavy-duty cleansing environments and crowded streets, the Bucher CityCat 5006 easily cleans urban areas.

With the 5.6 m³ hopper, and an optional water recirculation feature, the Bucher CityCat 5006 achieves increased on-station working and reduces 'tip runs', enhancing productivity and reducing running costs.

The two side brushes in combination with a 3rd brush have a maximum sweeping width of 3768 mm. The sweeping system can be hydraulically moved 400 mm laterally to the left or right-hand side of the sweeper.

EcoELS

Engine & hydraulic management system

Low fuel consumption

According to EN 15429-2 standard

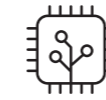
Class leading turning circle

5900 mm kerb to kerb

High payload

Up to 5000 kg at 10500 kg GVW

The Bucher CityCat 5006 delivers



Transit speed
Up to 80 km/h

Steering

Hydrostatic controlled four-wheel steering, 80 km/h mechanical variant

Hydrostatic drive

Can switch seamlessly from forward to reverse and work mode/transit

Easy clean option

Available for easier cleaning of the hopper, reducing daily cleaning effort



Water tanks

Optimised moulded design with easy removal for maintenance

Pick up system

Pulled brush system with suction intake in front of axle, hydraulically and laterally movable

Steel hydraulic pipes

Up to 60 % less hydraulic hoses than other sweepers in this class



Hopper

5.6 m³ hopper volume with high dump option

Water volume

880 l water capacity



Disc brakes

Front axle with dual calipers, rear axle with single calipers

Water recirculation

Service water is filtered and fed to the suction intake

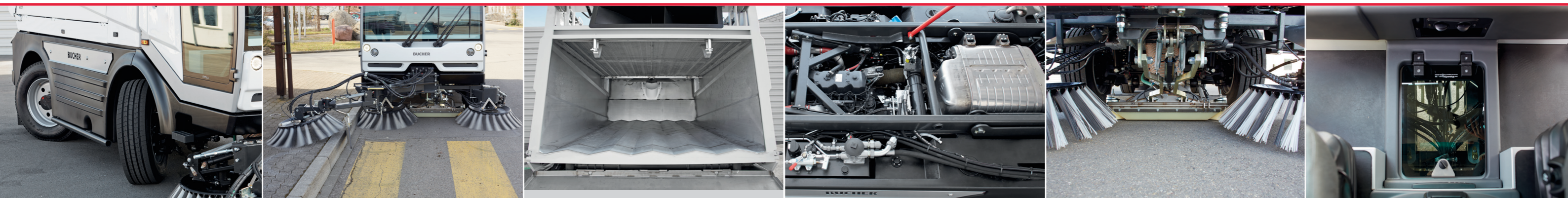
EcoELS

Unique engine and hydraulic Eco Extended Load Sensing management system, which allows a reduction of noise and fuel consumption with no loss of performance



Battery isolator switch

Allows safe working and prevents an accidental discharge



4 wheel steering

3rd brush

5.6 m³ Hopper

Euro 6 Engine

Suction intake

Floor glas panel

Low environmental **impact**

Low water usage

The Bucher CityCat 5006 uses a recirculation system to reuse the water inside the hopper. This reduces refilling costs and extends on-station time.

Low fuel consumption with EcoELS

Through the intelligent EcoELS engine and hydraulic management system, the Bucher CityCat 5006 can provide a high energy efficiency, high performance and low noise, resulting in optimum fuel consumption. The concept considers the performance requirements of the operator and external influences such as sweeping mode or driving uphill, automatically delivering the amount of power needed for the task, without derating the optimal operating point. Comparison tests have shown a reduction of diesel consumption between 25-30 % and a noise level of 20 %.

Less CO₂ emissions

With its low fuel consumption in work mode, the Bucher CityCat 5006 produces only half as much CO₂ emissions per year as other sweepers in its class (per year = 2000 operating hours).

Dust emissions

EUnited 4 star certified for PM10 and PM2.5.

HVO / Bio diesel B7 compatible

HVO (Hydrotreated Vegetable Oil) has the equivalent productive output as diesel but with none of the harmful properties. It burns cleaner and produces significantly lower damaging emissions, with up to 90 % less Carbon Dioxide (CO₂) and 30-70 % less NOX (nitrogen oxides).

A non-fossil fuel, HVO can be used 100 % or with any EN590 diesel mix without modification or change in servicing requirements.

Latest regulation engine

Standard Euro 6 engine - with diesel particulate filter, SCR and AdBlue system.

High dust suppression

Water jets on each brush provide a fine clean water spray to trap dust particles lifted by the two (optional three) brushes. In addition, recycled water from the hopper is filtered and fed into the suction intake.

Euro 6
Standard engine

**PM10 and
PM2.5**
EUnited 4 star
certified



Safety and comfort

Bucher Municipal is dedicated to achieving the highest productivity from its sweepers. We believe enhanced operator comfort and safety directly relate to productivity and equipment performance. That is why our sweepers are designed to give the best driver comfort and ease of operation, as well as providing a safe work environment for the driver and for third parties.

The compact outer dimensions, as well as the four-wheel steering system that can be turned on and off, give the Bucher CityCat 5006 maximum manoeuvrability, ensuring perfect directional stability and safety for everyday work.

Safe handling

- Cruise control option in work mode reduces operator effort
- Hydrostatic drive system auto brakes when the driver disengages drive
- All-round disc braking system (front and rear) and hydraulic operated disc handbrake system

All-round control

- An audible signal for safe reversing
- Rear view camera auto engages when reverse is selected

Operators comfort

- Low in-cab noise
- Comfortable, hydro bearing cab suspension
- Steering column with angle and height adjustment
- Full automotive suspension

The cab design

The cab design of the Bucher CityCat 5006 achieves space, wide screen visibility, ease of use and comfort, from a range of standard and optional benefits:

- 3 person cab
- Air-suspension adjustable seat with lumbar support and optional heating
- Soft-feel steering wheel with angle adjustment
- Power-assisted steering
- Heated, curved and low-reflection windscreen
- Integrated air conditioning option
- In-cab heating
- In-cab DAB+ radio and MP3 player



Visual module

The display gives information on sweeper functions and has also a diagnostic fault finding capability. Fault diagnosis is also accessible from the visual module.



Multi-functional armrest

The multi-function and adjustable armrest enable operators to control the sweeping functions of the machine from a single large buttoned keypad.



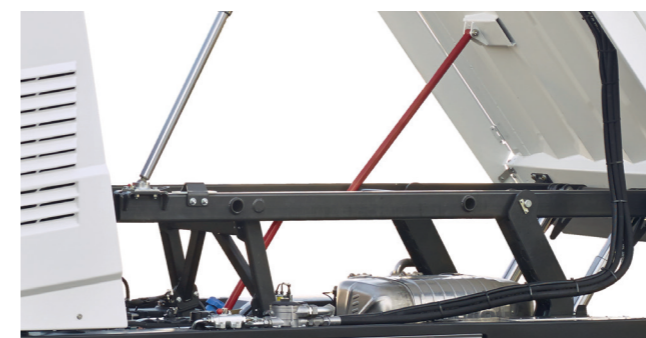
Cabin

Walk through cab with clear side vision and big windscreen. Easy reach/use control panels positioned to the front and side of the operator.



Central console

Easy to reach with water tabs, hand brake, power plug and air-conditioning controls.



Operator safety

Automatically engaged mechanical hi-vis body prop.



3 person cab

Optional third passenger seat allowing transportation of additional crew members.



Low cost of ownership

The Bucher CityCat 5006 offers lower maintenance costs when compared to a chassis mounted vehicle. With 500-hour service intervals on the whole vehicle, service costs and downtime are kept to a minimum.

Designed to cope with tough environments, the Bucher CityCat 5006 hopper is manufactured from 1.4003 stainless steel for protection against corrosion and wear.

The Bucher CityCat 5006 is designed and built for urban and city sweeping. The engine and drive train are also matched to this purpose, resulting in greater fuel efficiency.

Bucher Connect offers digital alerts or recommendations whenever you experience a fault or error. Our service also includes access to technical assistance for real-time solutions and remote diagnostics, which drastically reduces maintenance costs and increases operating time.

Water volume

Water recirculation option and 880 l clean water volume - allowing prolonged productive work time

Fan

Heavy-duty fan with wear resistant blades

Multi-season

Year-round multi-tasking machine - sweeping and winter application

Bucher Connect

GO / GO+ / BASE / PLUS / MAX

The economical year-round machine

The Bucher CityCat 5006 can be converted from sweeping to winter operation in record time. Straight from the factory, the Bucher CityCat 5006 comes ready for winter service: for example, the flexible subframe under the hopper allows retrofitting the Bucher CityCat 5006 for (grit and de-icer) spreading duties.

A well-thought-out clutch system allows all hydraulic and electric cabling to be decoupled in no time at all, so the driver can modify the sweeper for winter conditions, unassisted, in only 30 minutes. In this configuration, the sweep gear and suction nozzle simply remain on the sweeper.

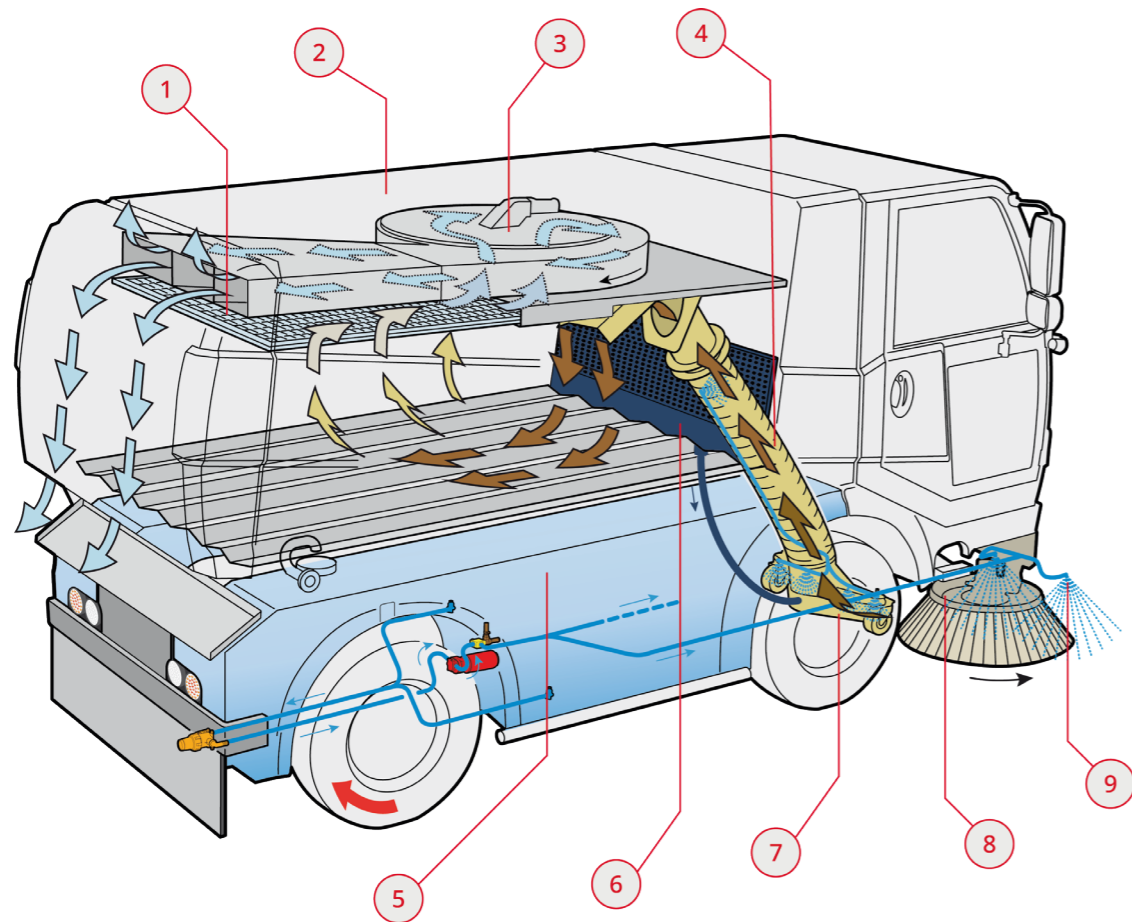
Drivers and fleet managers can review cleaning and spreading hours, or even transfer these onto a USB stick and analyse the data on a PC.



For snow-clearing service and de-icing, the Bucher CityCat 5006 features a snow plough, which is mounted on the same mounting plate as the front brush and controlled by the front brush joystick. Also available, a spreader (1.8 m³) that can handle wet salt.

Sweep and suction system

High productivity starts with the interaction of driver and equipment. The sweeping system combined with a large water and hopper volume are the basis for achieving this goal. The pulled brush system with 400 mm lateral adjustment is easy to manoeuvre so the driver can focus on the road and the optional 3rd brush.



- | | | |
|--|---|---|
| <p>1 Large, easy to clean mesh inside the hopper to prevent clogging by leaves</p> <p>2 Large 5.6 m³ hopper with water recirculation system</p> <p>3 Fan arrangement on top of the hopper for optimal air flow</p> | <p>4 Bucher DNA straight suction hose with water nozzles for dust suppression</p> <p>5 Big 880 l fresh water volume with tank placement for a low point of gravity</p> <p>6 Recirculation system which feeds the used water directly to the suction intake</p> | <p>7 Wide 800 mm suction intake, laterally adjustable</p> <p>8 Pulled brush system, whole system laterally adjustable</p> <p>9 Water nozzles for maximum dust suppression, adjustable from cab</p> |
|--|---|---|

Significant options



Road construction brush
The road construction front brush is suitable for particularly tough applications, including road construction and weed removal. Furthermore, it has a floor support pressure regulation and a tilt.



Speed 80 km/h
Transit speed is set to a maximum of 80 km/h with a mechanical steering system replacing the hydraulic steering system.



Boom reel & hand lance
Two booms are mounted on the hopper with a reel and a hand lance that are connected to the highpressure water system, useful for flushing rubbish from the sides of the street directly in front of the sweeper.



Street wash system
Ample pressure allows market squares, building sites and pedestrian zones to be washed down and left spotlessly clean.



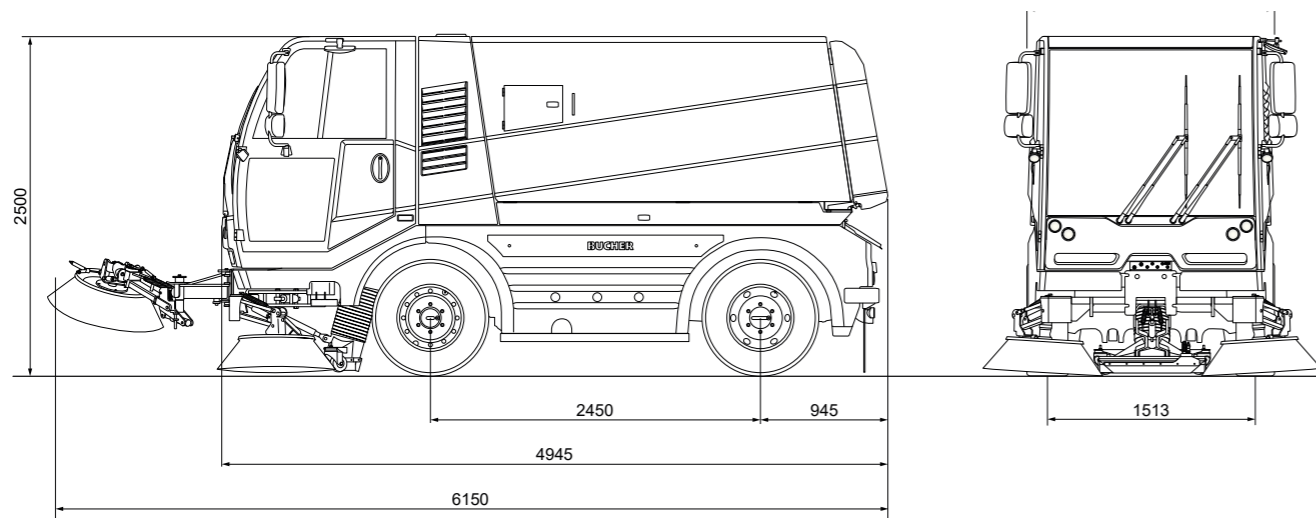
Wanderhose
The wanderhose with hydraulic support enables cleaning of underfloor containers up to 2 metres deep. The abrasion resistant, 360° rotatable suction hose has a diameter of 200 mm with a length of 6.5 m.



High dump
Allows the sweeping material to be dumped into troughs or dump trucks by having an extended discharge height of 1550 mm.



Sweeper configuration



Dimensions

Length	4945 mm
Width	1798 mm
Height	2500 mm
Wheelbase	2450 mm
Track	1513 mm
Max. cleaning width 2 brushes	2533 mm
Max. cleaning width 3 brushes	3520 mm
Max. cleaning width 3 brushes (RCB)	3768 mm
Turning radius	2950 mm

Tyres

265 / 70 R 19.5 140 / 138M

Noise level cab

63 dB(A)

Driving Performance

Working speed	0-20 km/h
Travelling speed	0-80 km/h*
Climbing ability	30 %

Chassis

Bucher fabricated ladder frame chassis with "C" rail construction.	
GVW	10500 kg / 10400 kg (80 km/h)
Empty weight	5500 kg / 5600 kg (80 km/h)
Payload	5000 kg / 4900 kg (80 km/h)

Engine Euro 6

FPT, Iveco Euro 6	NEF4 Euro VI
Engine displacement	4485 cm ³
Output	118 kW
Torque	580 Nm
AdBlue tank	30 l

Engine Stage IIIA*

FPT, Iveco Stage IIIA	NEF4 Stage III A
Engine displacement	4485 cm ³
Output	104 kW
Torque	608 Nm

Fuel tank	110 l
Electrical system	24 V

* According to national legislation



Get Connected

Bucher Connect is a holistic after sales solution. A leading fleet management system, with comprehensive care and a digital platform for your repair and service planning – all in one simple package.

Using Bucher Connect makes the daily workload much easier for owners and managers of any fleet size. Our all-inclusive service offers targeted support and services for street cleaning and clearing operations, to minimise downtime and costs through the optimal efficiency of vehicles and equipment.

One connection **Many benefits**

Combining a digital platform with the complete after sales service, Bucher Connect has everything you need to operate your fleet at its best. It can be perfectly tailored to your needs through five different packages, as well as additional services and products.

Digital platform

Featuring two components, our «Fleet» module displays current machine positions, error messages with repair suggestions and important vehicle parameters, while «Service» takes care of all your repair and service needs.

This is supplemented by the two role-specific modules: «Jobs» and «Analytics». On a road map, route planning and road sweeps are marked in different colours for easy handling, with individual tracks via the address search.

«Fleet» for a detailed overview

- Current vehicle status and GPS position to give an overview of the fleet and detect potential breakdowns early
- Automatic fault alerts and digital support to enable quick resolution
- Service reminders for efficient workshop planning

«Jobs» for route planning and monitoring

- Digital cleaning report instead of manual operating logs and «On the route» KPIs for track

«Analytics» for fleet optimisation

- Optimise uptime for improved fleet productivity
- Optimise energy demand for improved sustainability and lower costs
- Easy reporting of vehicle data

«Service» for repair and service planning

- Access to the e-shop, workshop manuals and maintenance plans for optimal service
- One touch point for all your repair and service needs

Maintenance and repair

The maintenance and repair service enables you to focus on core business. Your maintenance partner carries out maintenance in accordance with factory specifications and uses trained service technicians, supporting you in procuring spare parts and providing remote support to reduce downtime.

Digital spare parts procurement

- Proactive service announcement
- Automatic service parts delivery to end-customers
- Time savings and prompt delivery for efficient workshop operation

Certified service

- Certified service and repair work for optimal fleet availability
- Comprehensive service and repair contract for predictable financial planning

Technical training

- Technical vehicle training
- Efficient vehicle use and higher first-time fix rate

Remote support and diagnostics

- Reduced downtime for optimal fleet use



Cleaner streets one
sweep at a time

Bucher Municipal



For local support,
please scan QR code
or visit

buchermunicipal.com

At Bucher Municipal, we innovate and engineer better cleaning and clearing solutions, helping our customers grow and maintain efficient and profitable businesses. Leveraging the over 200-year-old heritage of Bucher, we are committed to helping you achieve more using less. Taking pride in being seen as a reliable partner, we work locally with you in realising the possibilities for a smarter, cleaner and more efficient tomorrow. Today.



Your Bucher Municipal contract partner:

Driven by better



Bucher
Municipal
E-Shop